

www.luxorfurn.com
www.hwilson.com

Parts List

Tools Required

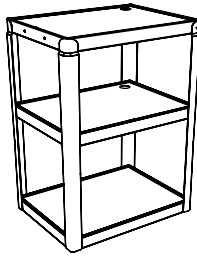
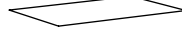
- Rubber Mallet

Fixed Height Metal Cart

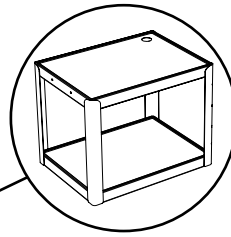
Instructions

AV42, AV34, AV26,
W42, W34, W26

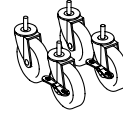
Non-slip mat



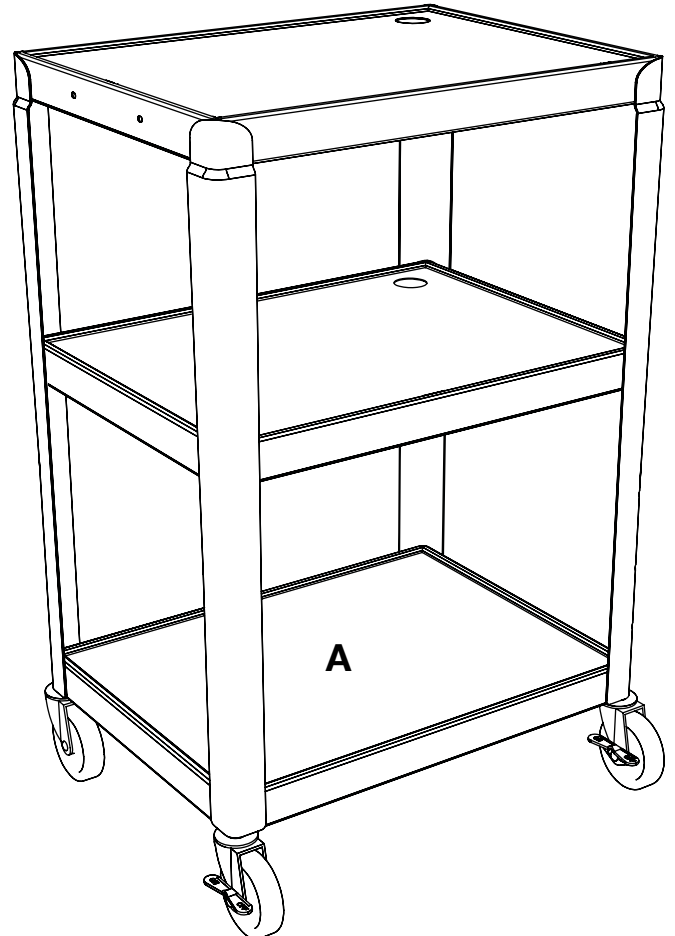
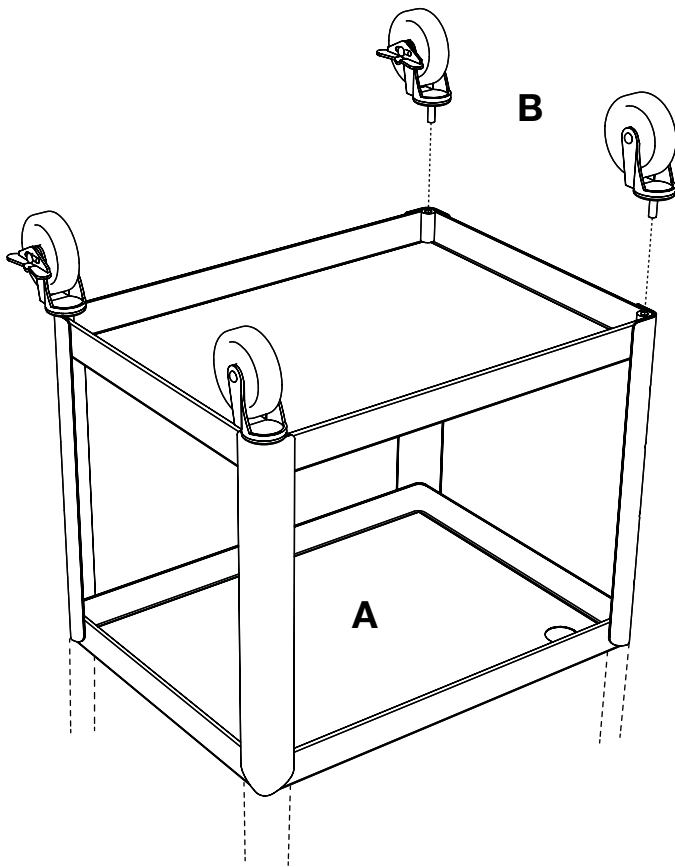
A x1



Optional cart with
two shelves



B x4



1

Position the cart frame **A** so that the caster holes are facing up. Insert caster **B** into the caster holes on the bottom of **A**. Use a mallet to set the casters properly.

2

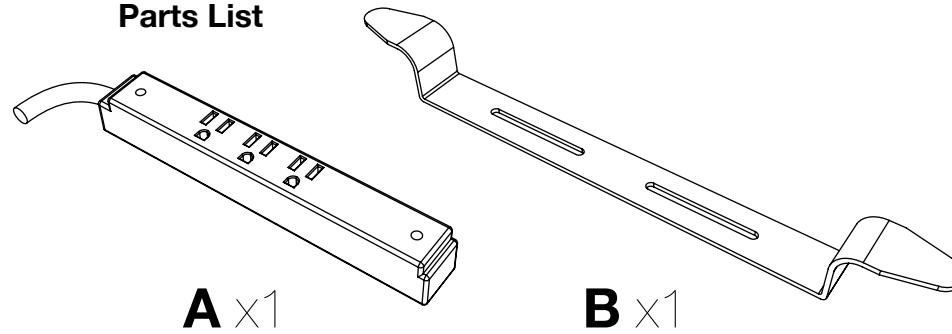
Flip cart frame **A**. Place Non-slip mat on desired shelf. The cart is now complete.

www.luxorfurn.com
www.hwilson.com

Electric Assembly Instructions

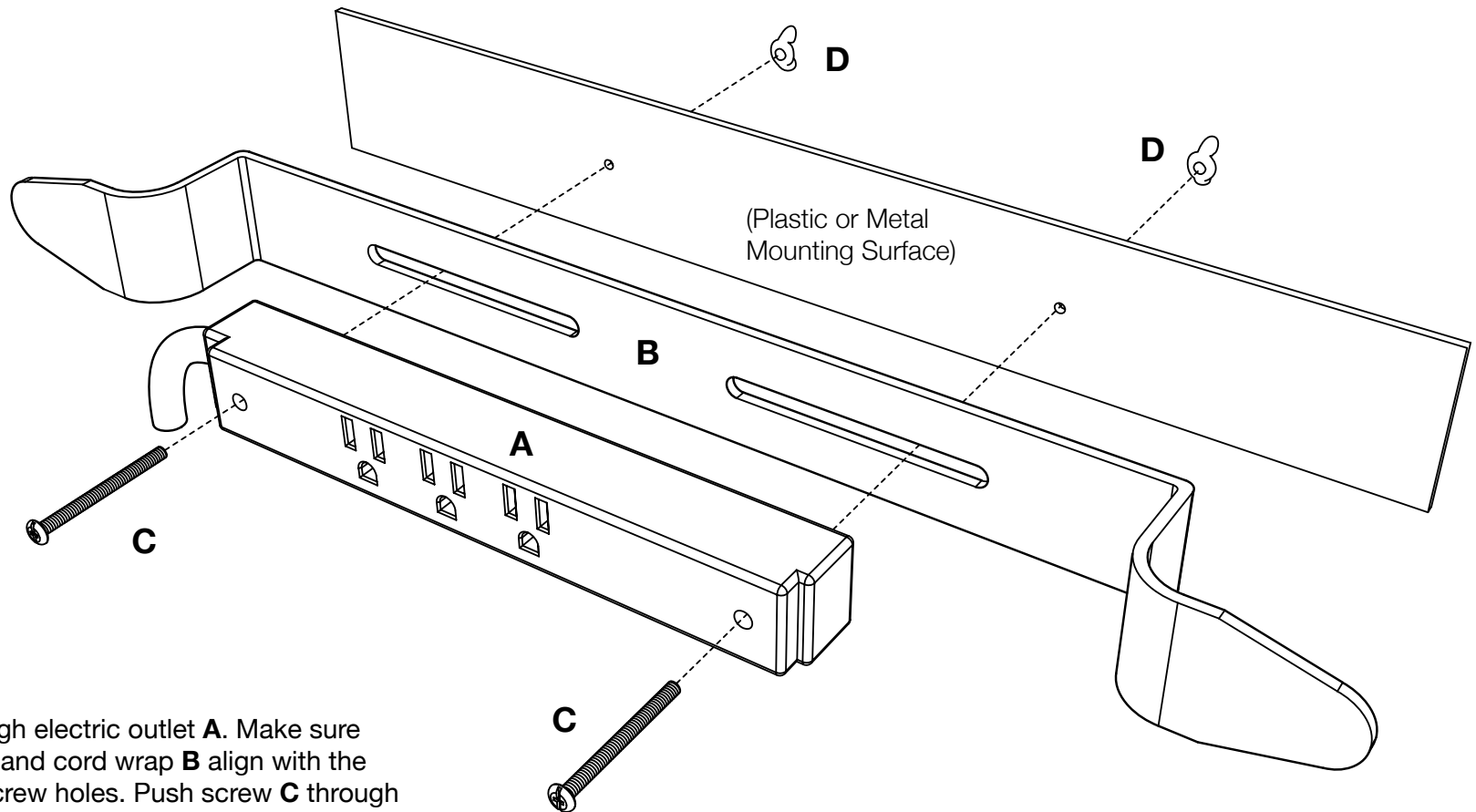
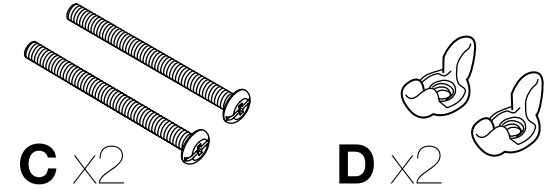
Number of outlets
may vary.

Parts List



Tools Required

- Screwdriver



1

Push screw **C** through electric outlet **A**. Make sure the electric outlet **A** and cord wrap **B** align with the mounting surface screw holes. Push screw **C** through cord wrap **B** and the mounting surface screw holes. Use wing nut **D** and screwdriver to fasten.