

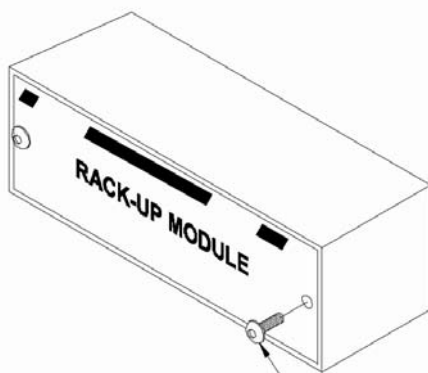
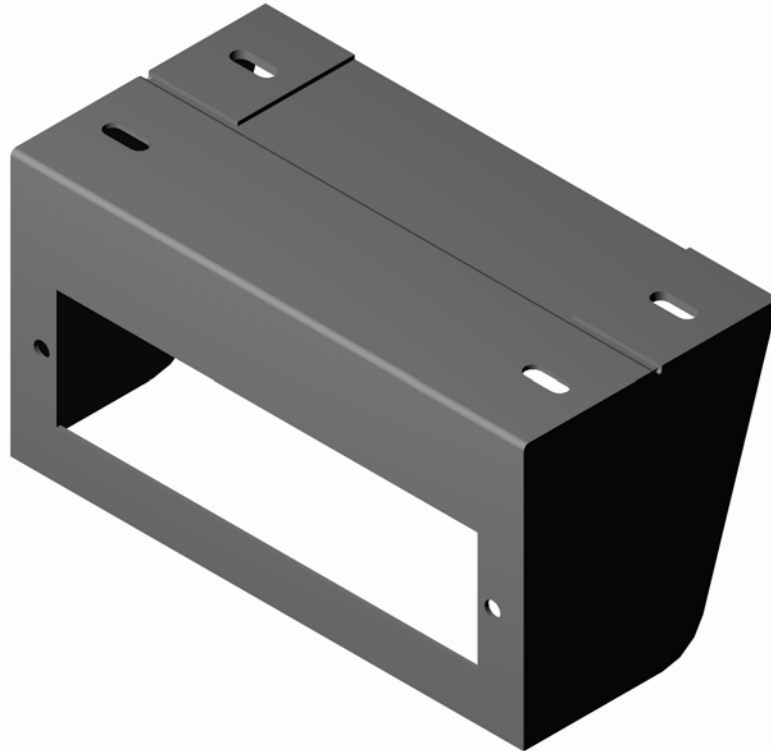
Accessories

Model RU-BR1 Mounting Bracket

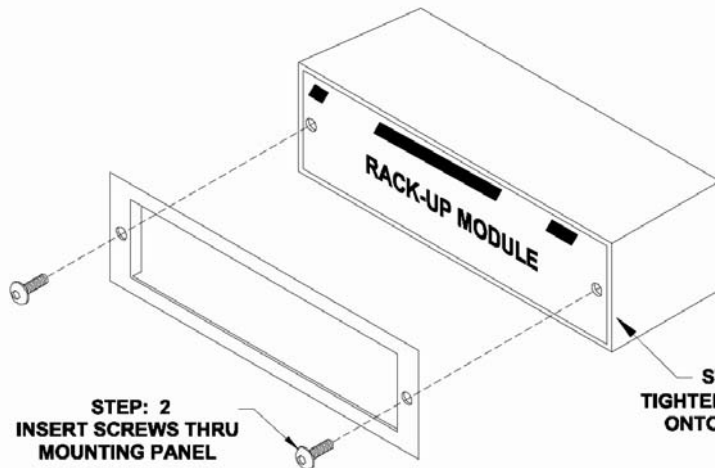
Installation/Operation



EN55103-1 E1-E5; EN55103-2 E1-E4
Typical Performance reflects product at publication time
exclusive of EMC data, if any, supplied with product.
Specifications are subject to change without notice.



STEP: 1
REMOVE SCREWS FROM
RACK-UP MODULE AND
USE FOR MOUNTING



STEP: 2
INSERT SCREWS THRU
MOUNTING PANEL

STEP: 3
TIGHTEN MODULE
ONTO PANEL